

EPSF-11

Axial Compensator DN 15 – DN 500



Specification

- Engineered Products & Solutions steel compensator EPSF-11
- Vacuum-proof axial compensator consisting of a stainless steel bellows and welded flanges.

Steel bellows PN16

- Multiple convolution bellows in various stainless steel grades
- One ply or multi-ply structure
- DN 15 – DN 500 (PN16) according to EN1092
- Other DIN EN, ANSI, BS etc

Materials

- Stainless Steel

Material Grades*	Material number as per DIN EN	Temperature	Applications
Stainless steel	1.4541, 1.4404, 1.4571	-196 °C up to +550 °C +550 °C	Low temperature, acids, lyes, gases, fertilizers Media containing chloride, oil, soap, drinking water, food stuff, petrol

Flanges

- Welded flanges with turned seal
- Flange drilling for through bolts

Dimensions

Standard: DN 15 - DN 500 (PN 16) according to EN 1092

Others: DIN EN, ANSI, BS etc.

Connection dimensions see technical annex

Materials

Standard: 1.0038 (S235JR), 1.0460 (P250GH)

Corrosion protection

Standard: anti-corrosion primed

Others: special varnish, etc.

Accessories

- Internal guide sleeve
- Protective tube
- Gas sealings for DVGW-application

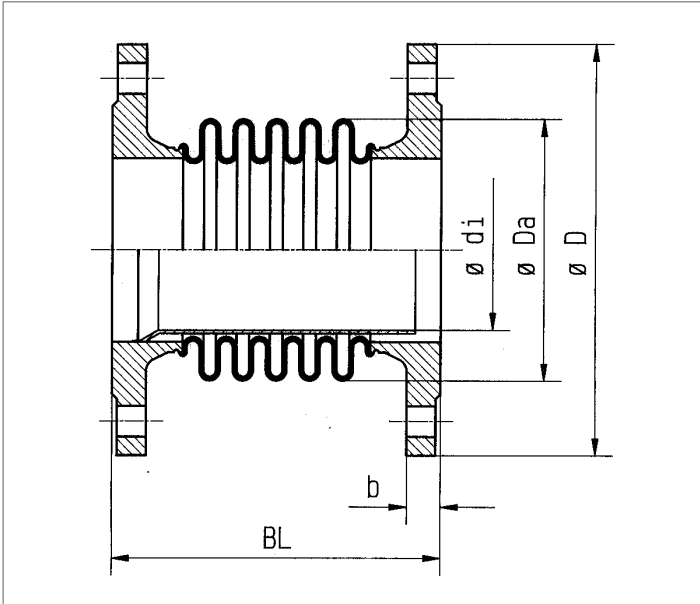
Applications

- For compensating axial movement
- For reducing tension, damping noise and oscillation in pipes and their system components, e.g.
 - Pumps
 - Compressors
 - Motors
 - Turbines
 - Machines
 - Process Plants
- For installation in
 - industrial applications
 - gas and water supply
 - exhaust systems
 - heating installations
- To compensate for installation inaccuracies

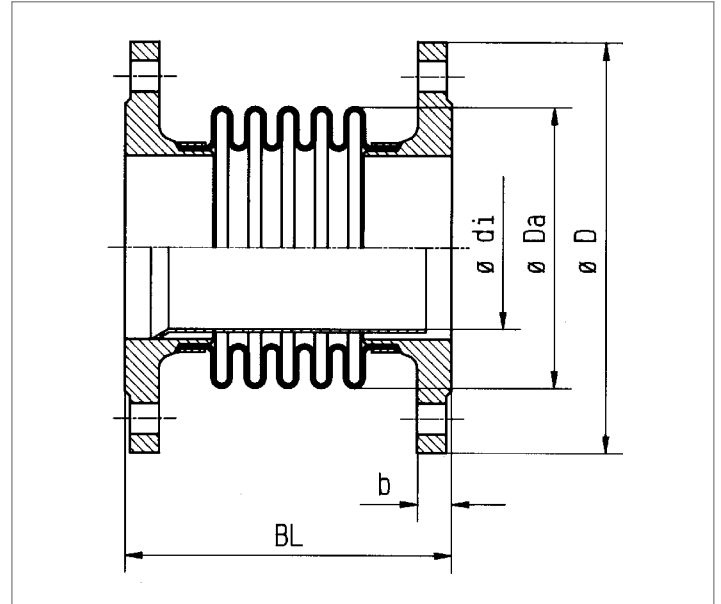
Special designs

Other sizes (DN), lengths or pressure ratings on request.

EPSF-11



DN 15 - DN 32



DN 40 - DN 500

EPSF-11 Pressure rate PN16 standard program

		Δ Axtot Axial Movement	Cax Axial Spring Rate	A* Effective Bellows Cross Sectional Area	$\varnothing Da$ Bellows Outer	$\varnothing Di$ Internal Guide Sleeve	PN Flange Connection	$\varnothing D$ Flange Outer	b Flange Thickness	Weight Approx.
DN	BL (mm)	(mm)	N/mm	cm ²	\varnothing mm	\varnothing mm	EN 1092	\varnothing mm	mm	Kg
15	100	20	30	7	36	14	16	95	14	1.5
20	100	20	30	7	36	18	16	105	16	2.0
25	105	25	28	10	42	24	16	115	16	2.4
32	150	20	49	16	54	32	16	140	18	3.9
40	175	26	132	25	66	38	16	150	18	4.3
50	205	32	197	36	79	49	16	165	18	5.3
65	210	36	221	54	96	64	16	185	20	6.4
80	225	38	188	78	115	77	16	200	20	8.2
100	235	42	175	115	137	96	16	220	20	9.7
125	265	50	79	173	168	123	16	250	22	14.0
150	290	50	156	243	197	150	16	285	22	17.2
200	310	38	237	422	253	199	16	340	24	24.9
250	335	38	624	620	302	250	16	405	26	36.0
300	260	22	863	995	388	299	16	460	28	50.0
300	410	52	379	990	386	299	16	460	28	57.0
350	265	21	946	1182	420	329	16	520	30	72.0
350	415	54	379	1182	420	329	16	520	30	79.0
400	270	21	1078	1514	471	380	16	580	32	90.0
400	420	54	431	1514	471	380	16	580	32	98.0
450	270	21	1210	1886	522	431	16	640	34	105.0
450	420	53	484	1886	522	431	16	640	34	115.0
500	270	21	1338	2290	572	482	16	715	36	136.0
500	420	53	535	2290	572	482	16	715	36	147.0