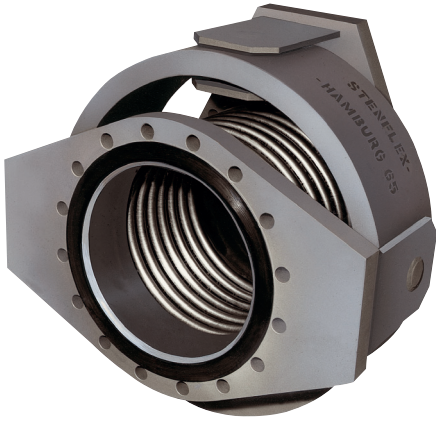


EPSF-33

Angular Compensator, cardanic movable
 DN 50 - DN 500



Specification

Engineered Products & Solutions steel compensator EPSF-33. Vacuum-proof angular compensator consisting of a stainless steel bellows with pipe ends and welded flanges.

- Welded cardan hinge restraints to absorb reaction force

Steel bellows PN 6 / PN 16

- Multiple convolution bellows in various stainless steel grades
- One ply or multi-ply structure

Materials

Stainless Steel

Material Grades*	Material number as per DIN EN	Temperature	Applications
Stainless steel	1.4541, 1.4404, 1.4571	-196 °C up to +550 °C +550 °C	Low temperature, acids, lyes, gases, fertilizers Media containing chloride, oil, soap, drinking water, food stuff, petrol

Flanges

- Welded flanges
- Flange drilling for through bolts

Dimensions

Standard: DN 50 - DN 500 (PN 6)
 DN 50 - DN 250 (PN 16) according to EN 1092

Others: DIN EN, ANSI, BS etc.

Connection dimensions see technical annex

Materials

Standard: 1.0038 (S235JR)

Corrosion protection

Standard: anti-corrosion primed

Others: special varnish, etc.

Applications

- For compensating angular movement in angular and deflecting pipe routings
- As double or triple joint compensation system for large movements
- For reducing tension
- For installation in
 - Industrial applications
 - Pipe line and plant construction

Cardan Hinge Restraints

- Pivot of joint bars at center of bellows
- Hinge restraints control bellows movement

Materials

Standard: 1.0038 (S235JR)

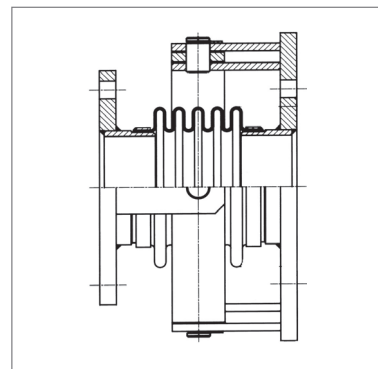
Corrosion protection

Standard: anti-corrosion primed

Others: special varnish, etc.

Special designs

Other sizes (DN), lengths or pressure ratings on request.



DN 50 - DN 500