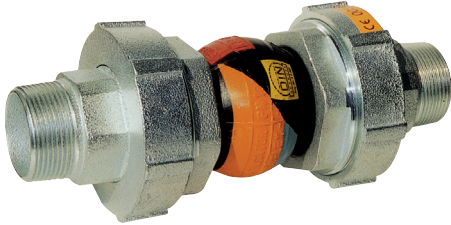


## EPSAS-5

Universal compensator  
DN32-DN40



### Specification

- Engineered Products & Solutions, rubber bellows type EPSAS-5
- Universal type, highly elastic rubber bellows with threaded ends & steel wire cord reinforcement
- Fitted with male or female threaded ends or a combination of male & female threads

### Materials

Liner: EPDM or Perbunan

Reinforcement: Steel wire cord

Threads: Male thread according to IOS7-1

Union nut with female thread according to ISO 228-1, flat sealing

### Identification

Colour Code: EPDM-Orange/Blue

Perbunan-Red/Blue

Markings: Stenflex type AS

Size

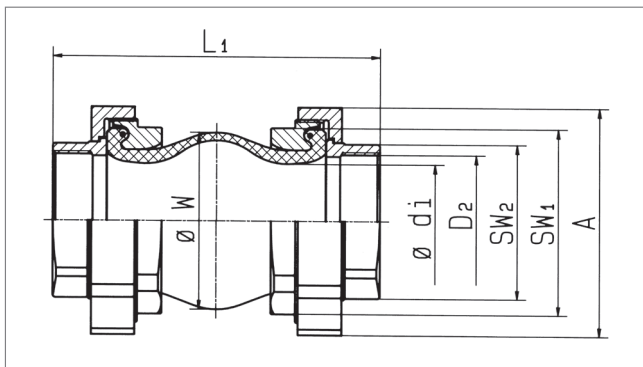
Date of Manufacture

Pressure Rating

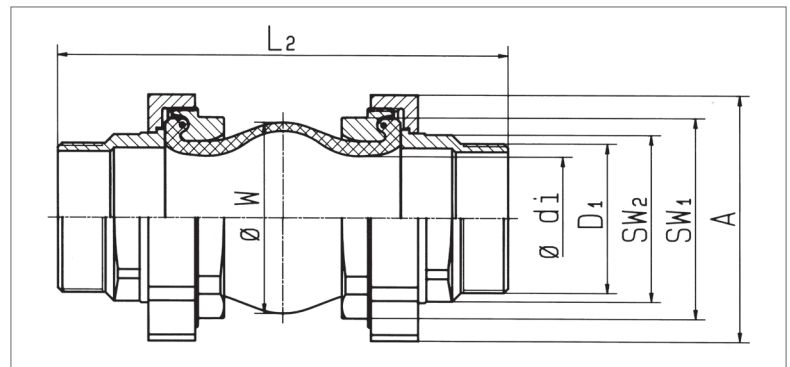
### Applications

- For reducing thermal & mechanical tension
- For muffling noise & vibration
- For compensating axial, lateral & angular movement
- For heating plants & hot water systems
- To compensate for installation inaccuracies

Max Working Pressure	16 bar	Temperature Range	-40°C to 130°C
Allowable Test Pressure	37.5 bar	Vacum	0.05 bar abs
Burst Pressure	> 50 bar	Accessories	Union nut with male thread



Type EPSAS-5 with female thread



Type EPSAS-5 with male thread

Nominal Diameter	Supplied Length L1	Supplied Length L2	Inside Diameter	Axial Movement Compression	Axial Movement Extension	Movement Angular	Movement Lateral	PN Thread Connection	Width Across SW1	Width Across SW2	Product Code
mm	mm	mm	mm	mm	mm	Degrees +/-	+/- mm		mm	mm	
32	237	187	34+/-3	30	10	25	15	16	75	47	EPSAS-5-032-E,B,P
40	239	189	34+/-3	30	10	25	15	16	75	54	EPSAS-5-040-E,B,P