

EPSF-13

Axial Compensator DN 15 – DN 1000



Specification

- Engineered Products & Solutions steel compensator EPSF-13
- Vacuum-proof axial compensator consisting of two stainless steel bellows (DN 125 - DN 1000 with connecting pipe) and welded flanges.
- Guide sleeves to stabilize the compensator
- Guide sleeves do not supersede pipe guide bearings

Materials

- Stainless Steel

Material Grades*	Material number as per DIN EN	Temperature	Applications
Stainless steel	1.4541, 1.4404, 1.4571	-196 °C up to +550 °C +550 °C	Low temperature, acids, lyes, gases, fertilizers Media containing chloride, oil, soap, drinking water, food stuff, petrol

Flanges

- Welded flanges, up to DN 250 with turned seal
- Flange drilling for through bolts

Dimensions

Standard: DN 15 - DN 1000 (PN 10), DN 15 - DN 250 (PN 16) according to EN 1092

Others: DIN EN, ANSI, BS etc.

Connection dimensions see technical annex

Materials

Standard: 1.0038 (S235JR)

Corrosion protection

Standard: anti-corrosion primed

Others: special varnish, etc.

Guide Sleeve

Standard: 1.4541

Applications

- For compensating large axial movement
- for installation in
 - long pipe routings
 - industrial applications
 - heating installations

Connecting pipe

Materials

Standard: 1.0305 (St 35.8), 1.0038 (S235JR), 1.4541

Others: stainless steel etc.

Corrosion protection

Standard: anti-corrosion primed

Others: special varnish etc.

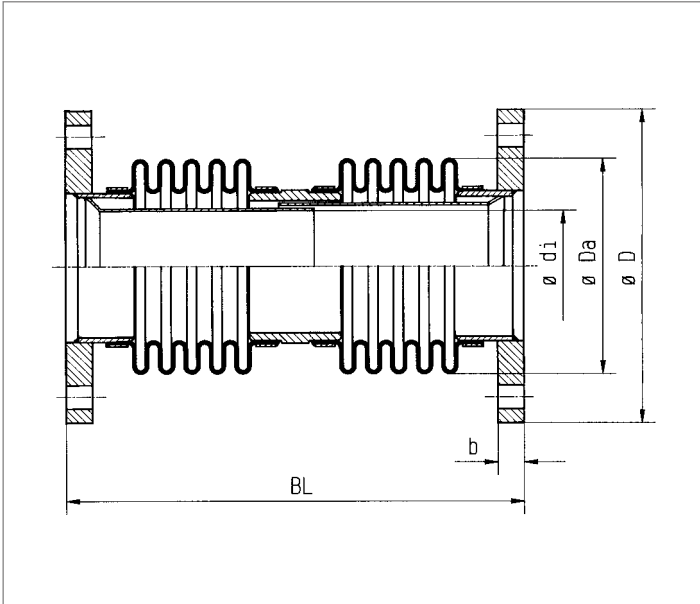
Special designs

Other sizes (DN), lengths or pressure ratings on request.

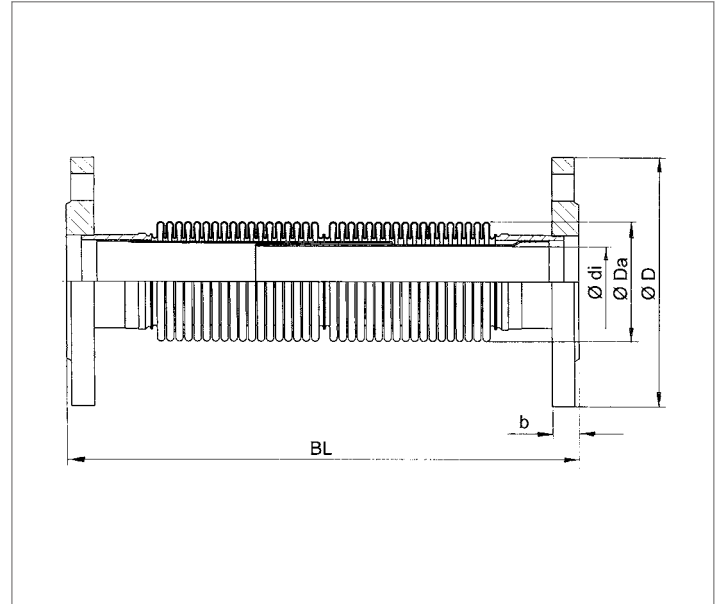
Accessories

- Protective tube

STENFLEX TYPE SF



DN 125 - DN 250



DN 15 - DN 100

EPSF-13 Pressure rate PN16 standard program

		Δ Axtot Axial Movement	Cax Axial Spring Rate	A* Effective Bellows Cross Sectional Area	ϕ Da Bellows Outer	ϕ di Internal Sleeve Inner	PN Flange Connection	ϕ D Flange Outer	b Flange Thickness	Weight Approx.
DN	BL (mm)	(mm)	N/mm	cm ²	ϕ mm	ϕ mm	EN 1092	ϕ mm	mm	Kg
20	270	48	25	7	38	18	16	105	16	2.2
25	285	40	25	16	54	24	16	115	16	2.9
32	285	40	25	16	54	32	16	140	16	3.9
40	320	52	34	25	66	37	16	150	16	4.6
50	340	68	44	36	79	47	16	165	18	6.2
65	380	72	51	54	96	60	16	185	18	8.3
80	380	80	40	78	116	74	16	200	20	10.4
100	410	80	46	115	136	95	16	220	20	11.6
125	495	100	40	173	168	116	16	250	22	18.0
150	555	100	78	243	196	145	16	285	22	23.0
200	565	140	119	422	253	193	16	340	26	35.2
250	570	104	312	620	302	246	16	405	29	47.9