

## EPSF-20

Lateral compensator DN 32 – DN 500



### Specification

- Engineered Products & Solutions steel compensator EPSF-20
- Vacuum-proof, short-length lateral compensator, consisting of a stainless steel bellows and rotating flanges
- Rotating flanges with tie rods to absorb reaction force

### Steel bellows PN10 / PN16

- Multiple convolution bellows in various stainless steel grades
- One ply or multi-ply structure

### Materials

- Stainless Steel
- Heat Resistant Steel

Material Grades*	Material number as per DIN EN	Temperature	Applications
Stainless steel	1.4541 1.4404, 1.4571	-196 °C up to +550 °C +550 °C	Low temperature, acids, lyes, gases, fertilizers Media containing chloride, oil, soap, drinking water, food stuff, petrol
Heat-resistant steel	1.4828 1.4878	+900 °C +800 °C	Hot gases, steam, air Hot gases, steam, air

### Flanges

- Rotating flanges
- Flange drilling for through bolts

### Dimensions

Standard: DN 32 - DN 500 (PN 10)  
DN 32 - DN 500 (PN 16) according to EN 1092

Others: DIN EN, ANSI, BS etc.

Connection dimensions see technical annex

### Materials

Standard: 1.0038 (S235JR), 1.4541

### Corrosion protection

Standard: DN 32 - DN 250 electrogalvanized,  
DN 300 - DN 500 anti-corrosion primed

Others: hot-dip galvanized, special varnish, special coating, etc.

### Tie rod restraints

- Outer restraints carried on spherical washers/conical seats

### Materials

Standard: tie rods 8.8

### Corrosion protection

Standard: electrogalvanized  
Others: hot-dip galvanized

### Applications

- For compensating lateral movement
- For reducing tension, damping noise and oscillation in pipes and their system components, e.g.
  - Pumps
  - Motors
  - Machines
- For installation in:
  - industrial applications
  - Gas and water supply
  - Exhaust systems
  - Heating installations
  - Drinking water systems
- To compensate for installation inaccuracies

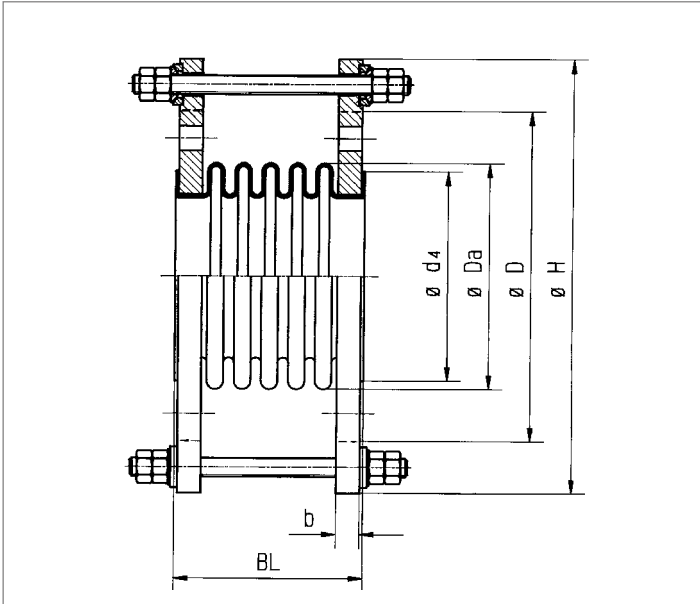
### Special designs

Other sizes (DN), lengths or pressure ratings on request.

### Accessories

- Internal guide sleeve
- Protective tube
- Gas sealings for DVGW-application

## EPSF-20



DN 32 - DN 500

EPSF-20 Pressure rate PN16 standard program

		$\Delta$ Lattot Lateral Movement	Clat Lateral Spring Rate	Ffric Friction Force Restrains	$\phi$ Da Bellows Outer	PN Flange Connection	$\phi$ D Flange Outer	H Flange Height	b Flange Thickness	Weight Approx.
DN	BL (mm)	(mm)	N/mm	N/bar	$\phi$ mm	EN 1092	$\phi$ mm	mm	mm	Kg
32	135	14	28	4	54	16	140	226	16	5.0
40	135	16	74	6	66	16	150	236	16	5.5
50	155	16	114	8	78	16	165	251	18	7.1
65	165	18	177	11	96	16	185	271	18	8.6
80	175	18	174	15	115	16	200	286	20	10.2
100	180	16	266	21	137	16	220	306	20	11.5
125	200	14	156	37	168	16	250	353	22	16.3
150	230	14	313	46	197	16	285	388	22	19.3
200	230	9	715	93	253	16	340	457	26	28.1
250	245	8	2571	130	302	16	405	570	29	47.0
300	320	8	2051	163	388	16	460	584	32	63.0
350	325	7	2671	191	420	16	520	644	35	82.0
400	330	6	3896	242	471	16	580	704	38	105.0
450	340	5	5446	415	522	16	640	820	42	144.0
500	345	5	7317	499	572	16	715	893	46	193.0