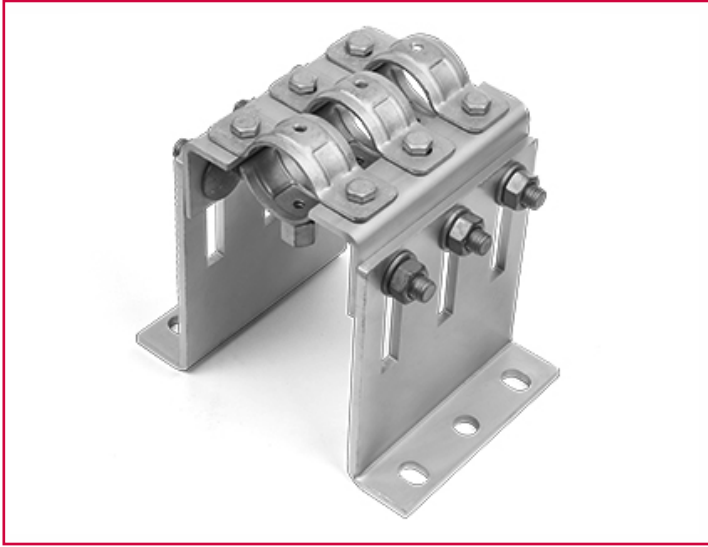


BIS Fixpoint Console 'Light' (BUP1000)

(E 05 49)



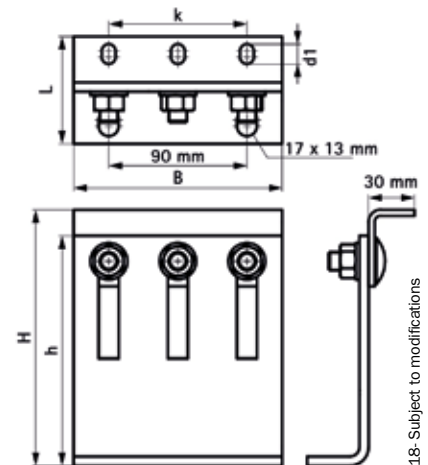
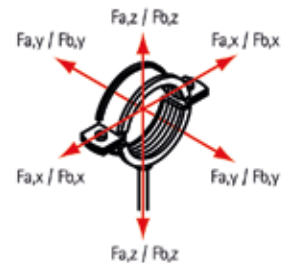
Features and benefits

- Flexible use console module for high forces up to 5 KN (depending on the situation, detailed design by technical service)
- Tested as a sound-insulated fixed point with lined heavy duty clamps
- Can be used as a pipe connection point in conjunction with 2 or 3 heavy-duty clamps type HD500 (up to 140 mm) or HD1501 (up to 154 mm)
- Tightening torque 75 Nm for the console fixing screws
- Connection to the building is recommended with metal anchors M12
- Infinitely adjustable height and inclination, high corrosion protection
- Material: steel 1.0332
- Surface protection:

Product is part of the BIS UltraProtect® 1000 system
 Suitable for in- and outdoor applications
 Stands min. 1,000 hours salt spray test
 (max. 5% red rust) according to ISO9227

Part No.	Model	L	B (mm)	H (mm)	h (mm)	d1 (mm)	k (mm)	Pack 1
669 8 204	FPC Console 'Light'	70mm	136	110 - 167	150	13 x 9	90	1

Note! Console, Clamps and Anchors are to be ordered separately.



Complementary

BIS Heavy Duty Clamp HD1501 (BUP1000)
 BIS Heavy Duty Clamp HD1501 (BUP1000)
 BIS Heavy Duty Clamp HD1501 (BUP1000)

Complementary

BIS Heavy Duty Clamp HD500 (BUP1000)
 BIS Heavy Duty Clamp HD500 (BUP1000)
 BIS Heavy Duty Clamp HD500 (BUP1000)

EN-UK 06/2018. Subject to modifications