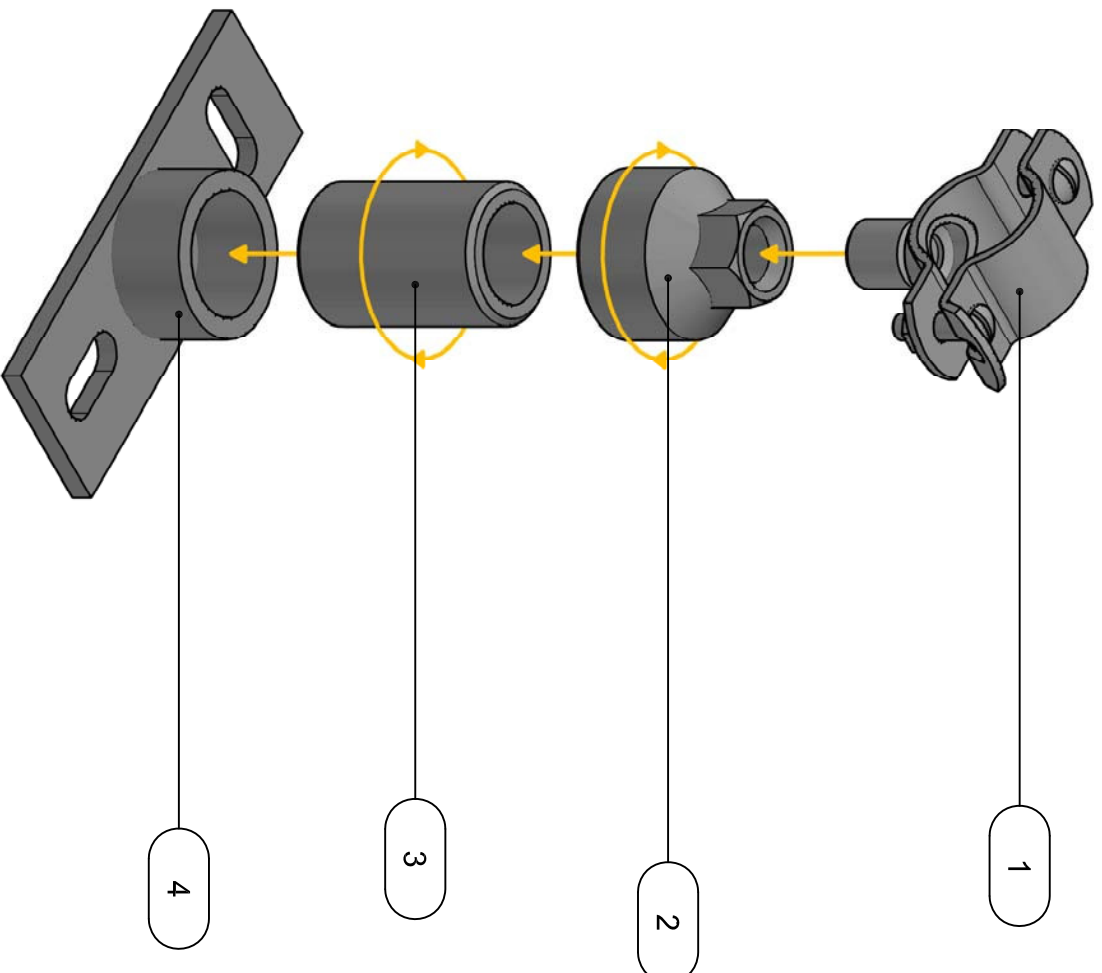
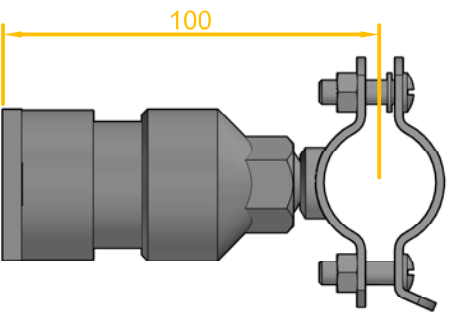
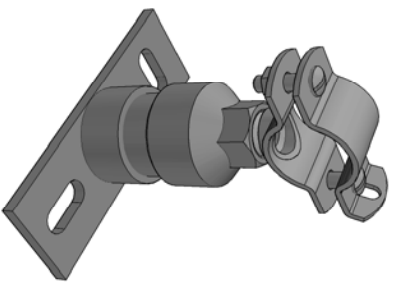


GPL-FP 1kN Modular Anchor



No.	Product
1	Stabil D-3G Pipe Clamp
2	Adaptor AD f/f
3	Threaded Tube
4	Mounting Plate

All data sheets are available on our e-catalogue

Maximum centerline of 100mm

Maximum force to be applied is 1kN

Clamp sizes range from 15mm to 67mm

Drawing	Date	Name	Description
GPL-FP	17/09/2011	LT	GPL-FP 1kN Modular Anchor
Revision	Date	Name	Project
1	25/01/2012	NST	
2			Client
3			



Scale: Not to Scale
 Dwg.No. : GPL-FP
 A 4