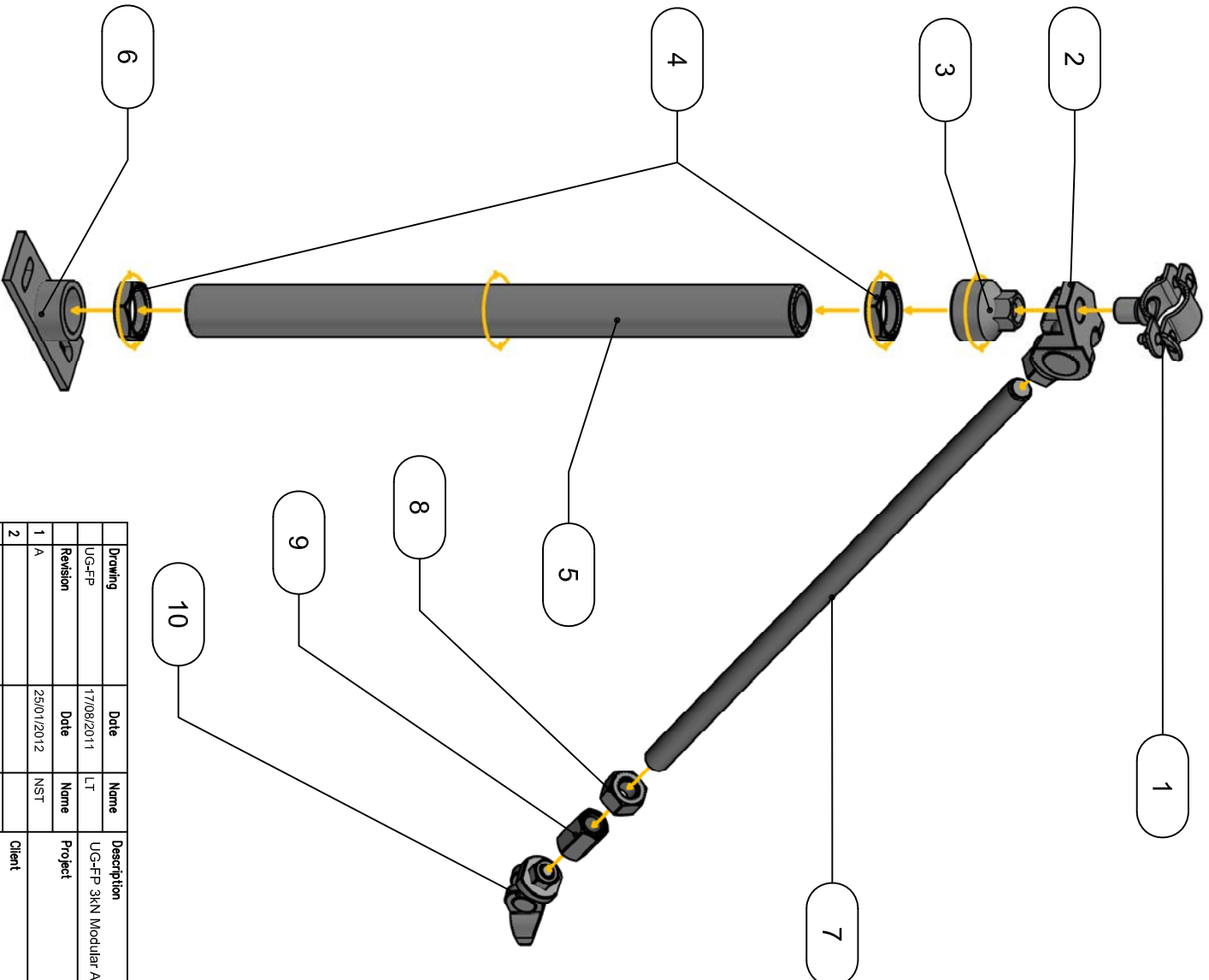
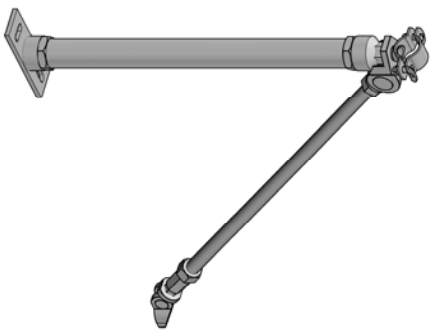


UG-FP 3kN Modular Anchor



No.	Product
1	Stabil D-3G Pipe Clamp
2	Universal Joint UG M16
3	Adapter f/f 1"/M16
4	1" Locknut NT
5	Threaded Tube GR
6	Mounting Plate GPL
7	Threaded Rod M16 GST
8	Nut NT
9	Adapter f/f M16/M10
10	Universal Joint UG M10

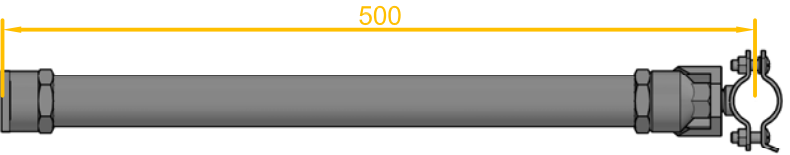
All data sheets are available on our e-catalogue

Maximum centerline of 500mm

Maximum 3kN Force to be applied (15-28mm 2kn ONLY!)

Clamp sizes range from 15mm to 114mm

Clamp is plastic coated for use with copper pipe. Fixings are not included, consult your fixing specialist.



Drawing	Date	Name	Description
UG-FP	17/08/2011	LT	UG-FP 3kN Modular Anchor
Revision	Date	Name	Project
1	A	25/01/2012	NST
2			
3			

Drawing	Date	Name	Description
UG-FP	17/08/2011	LT	UG-FP 3kN Modular Anchor
Revision	Date	Name	Project
1	A	25/01/2012	NST
2			
3			

Drawing	Date	Name	Description
UG-FP	17/08/2011	LT	UG-FP 3kN Modular Anchor
Revision	Date	Name	Project
1	A	25/01/2012	NST
2			
3			



Scale: Not to Scale
 Dwg.No.: UG-FP
 A 4