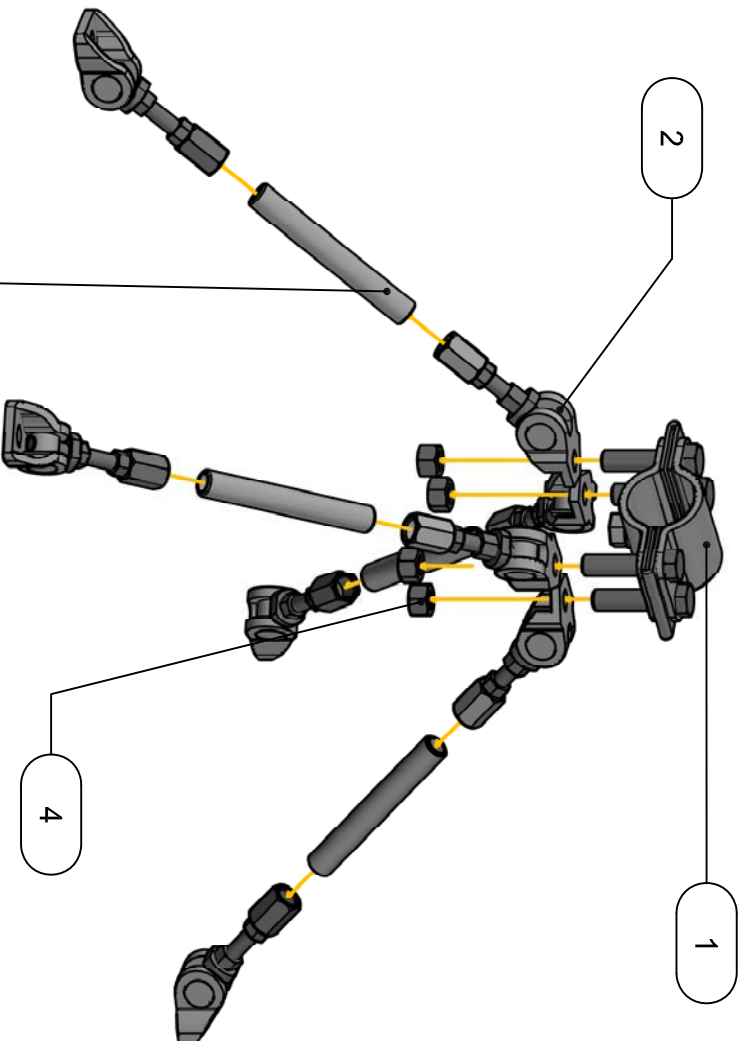
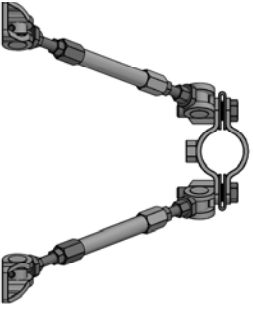
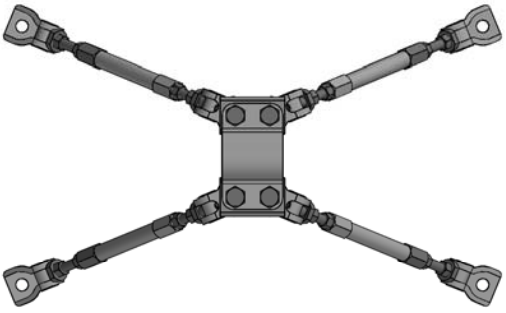


FS**-FP Spider Anchor up to 35kN



No.	Product
1	Fixed Point Clamp
2	Mounting Kit
3	Threaded Rod/Tube
4	M16 Nut

All data sheets are available on our e-catalogue

Centerline changed through length of Rod/Tube of bracing legs.

Bracing and mounting kits available in M12, M16, 1/2", 3/4", 1"

Maximum 35kN Force to be applied

Clamp sizes range from 22mm to 159mm

Bracing to stop lateral forces.

Braced at 22.5° from centerline

** dictates the brace thread size.

Size of Fixed Point Clamp	Torque M [Nm]
1/2" ... 1 1/2"	50
57 mm ... 3"	80
108 mm ... 521 mm	100

Drawing	Date	Name	Description
SA,DB	17/09/2011	LT	FS**-FP Spider Anchor
Revision	Date	Name	Project
1	25/01/2012	NST	
2			
3			