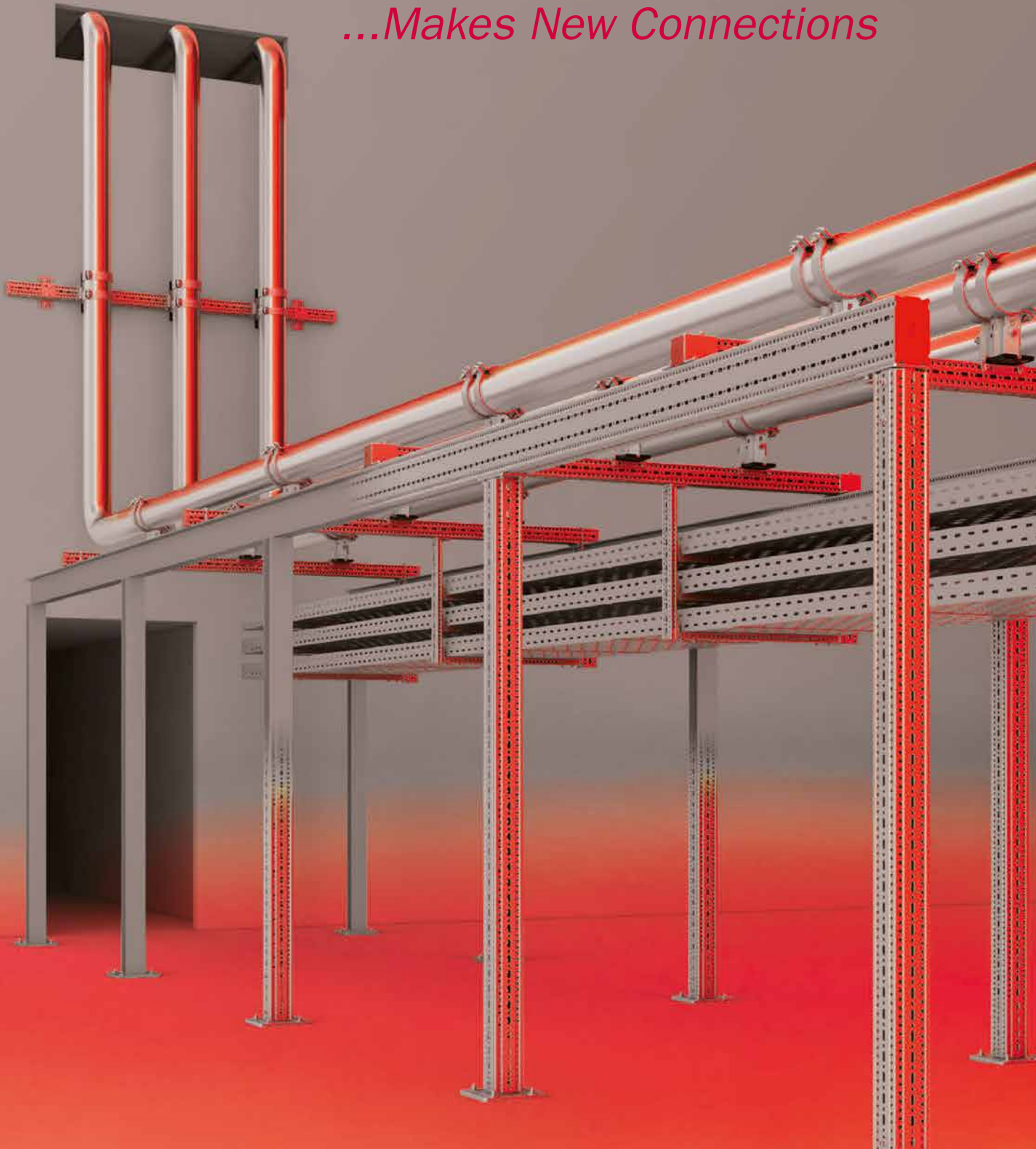


FRAMO

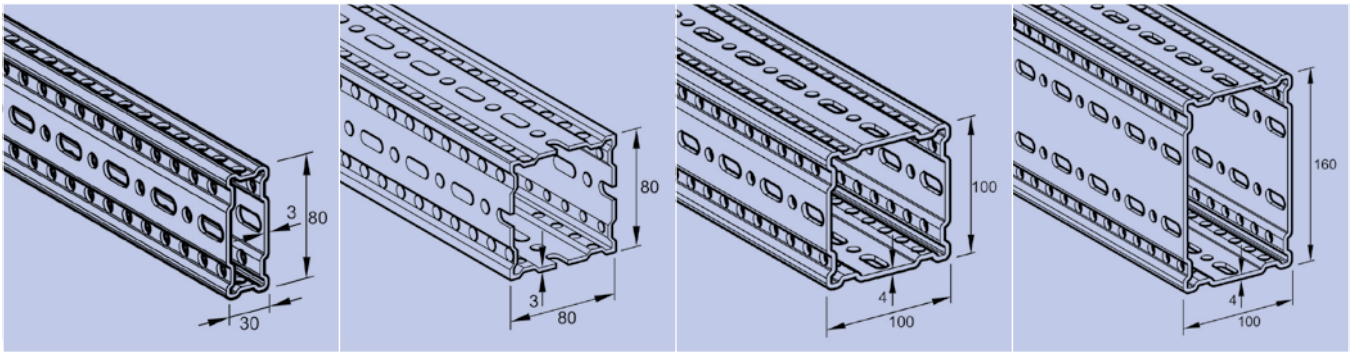
Modular Steelwork

...Makes New Connections



MODULAR STEELWORK WITH ROBUST STRUCTURAL PERFORMANCE

Framo is a non-welded steelwork support system for the modular construction of frames and structures. Framo allows multidirectional connection possibilities without the need for through-bolts and back-plates. The box section profiles have a high torsional resistance and a fine adjustment capability for connecting members.

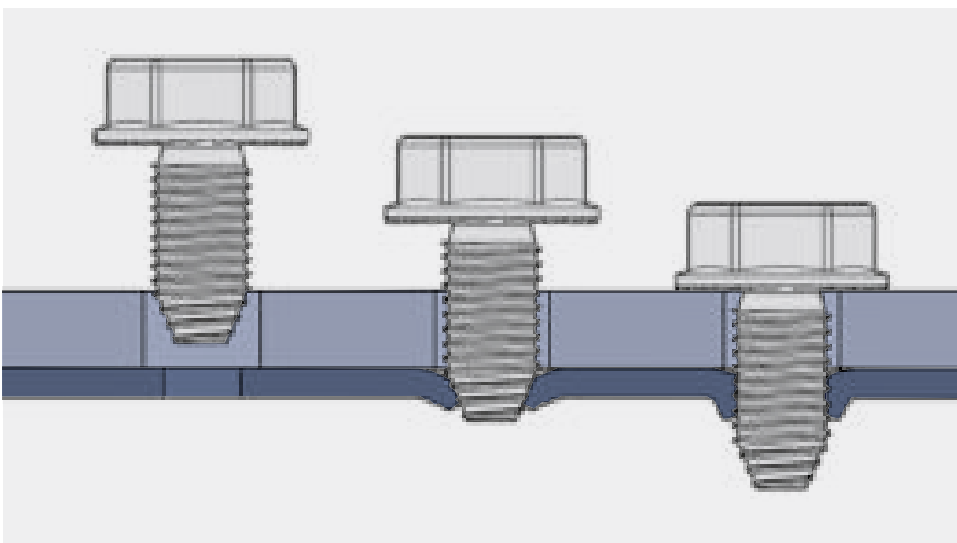


FRAMO WORKING APPLICATIONS

Framo can be used for a multitude of solutions:

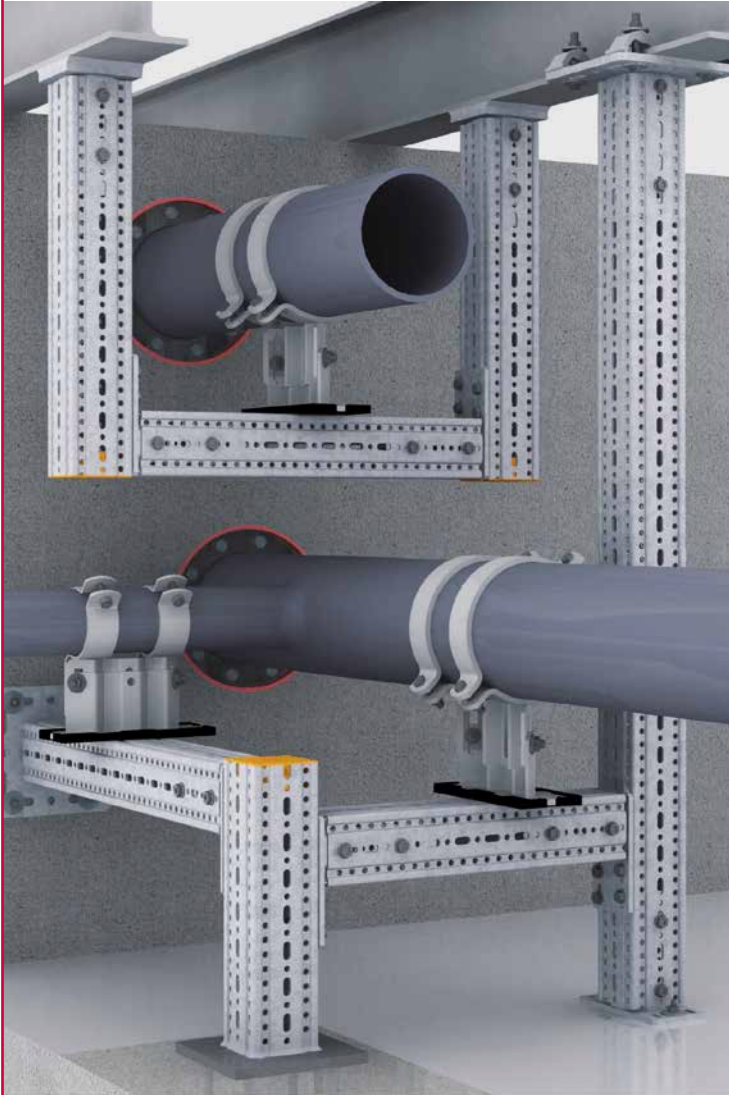
- Pump skid frames
- Plantroom pipework support frames
- H/Goal post frames
- AHU support frames
- M&E riser modules
- Suspended platforms
- Rooftop walkways
- Pipe bridges
- Bespoke pipework anchoring arrangements

SINGLE FASTENER FOR ALL PROFILE SIZES AND CONNECTORS

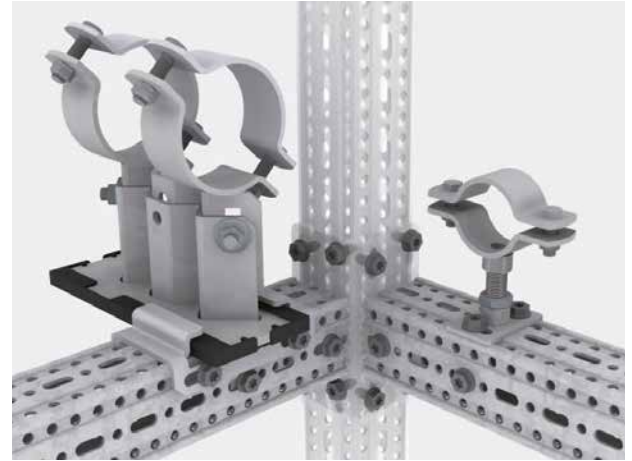


Framo is assembled via thread forming screws. The non-cutting cold formed threads of the screw form their own threads to pilot holes of the perforated Framo profiles. The low thread forming torque and resulting high clamping force, offers a superior process-reliable shake-proof fastening. The thread forming screws are removable and can be used again.

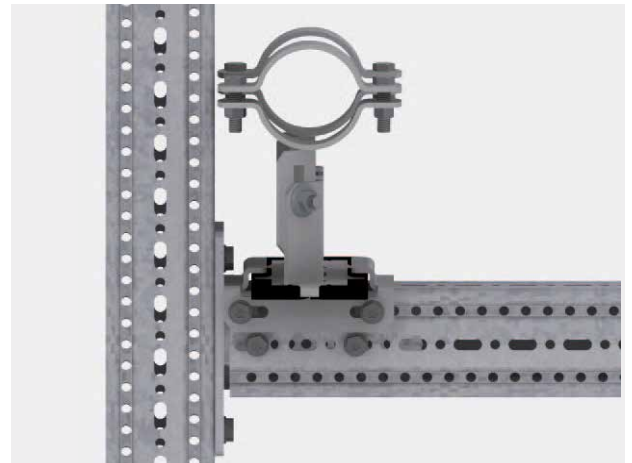
INSTALLATION TO CONCRETE AND STEEL



THE PERFECT SYSTEM FOR MODULAR STEELWORK CONSTRUCTION



No nuts or back-plates at member joints.
No obstruction to adjacent member connections.

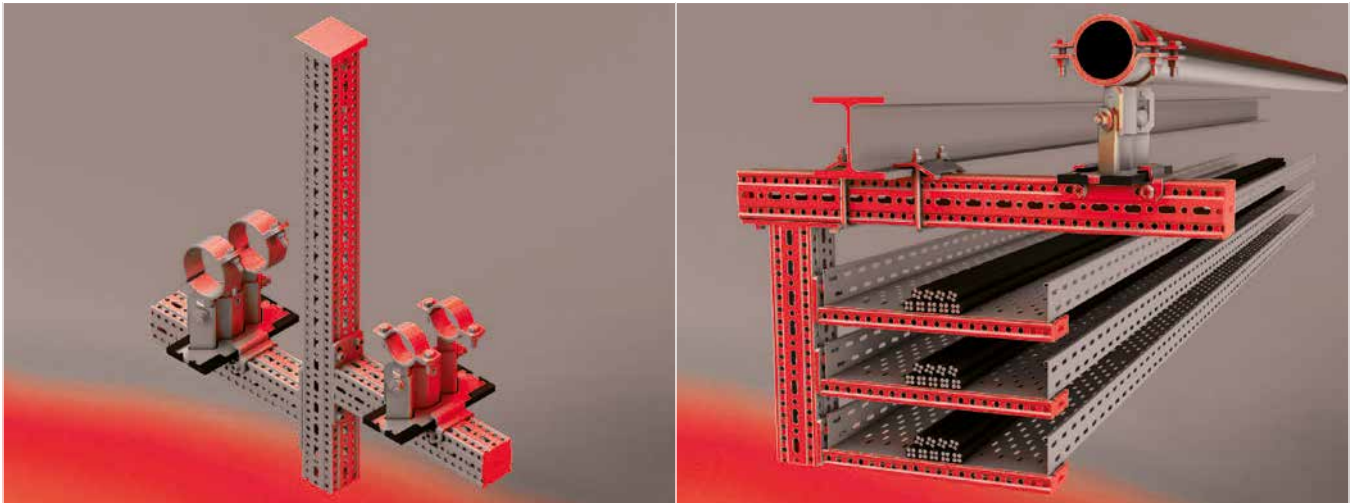


Full utilisation of profile surface –
attachments possible into corners

ONE SYSTEM, FASTER, BETTER, SAFER:

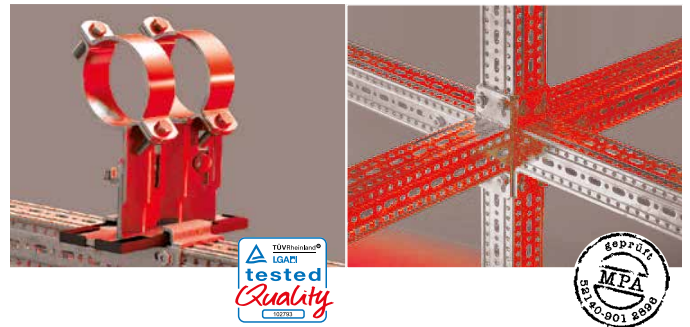
- Non-welded modular steelwork
- Higher performance / lower weight of steel
- Maximum flexibility, minimum installation time
- Frame and module assembly modifications can be made quickly on site with no loss of time, cut-outs or re-works
- Parts reusable after disassembly
- One thread forming screw for all component connections
- Compatible with other EP&S installation systems
- High HCP corrosion resistance as standard
- Special coatings for highest corrosion resistance requirements

AESTHETIC EXCELLENCE



CERTIFIED TESTS

A first in the form of a comprehensive modular support system of pipe shoes and support steelwork, with tested and documented regulatory compliance, based on European standards. Load test data for pipe shoes is a rare and unique benefit in the Process and Energy Industries.



DESIGN SUPPORT FROM INTERFACES AND LIBRARIES

SiCAD 2D/3D libraries can create assembly drawings and material lists at the press of a button. EP&S has CAD libraries for all fundamental CAD design software platforms adopted across the Construction and Process Industries.

GET IN TOUCH

EP&S UK Office
 Unit 15 Cedar Court
 Halesfield, Telford
 Shropshire TF7 4PF

Tel: **+44 (0)1952 680213**
 Email: **sales@epands.com**